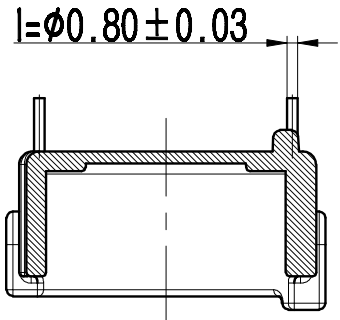
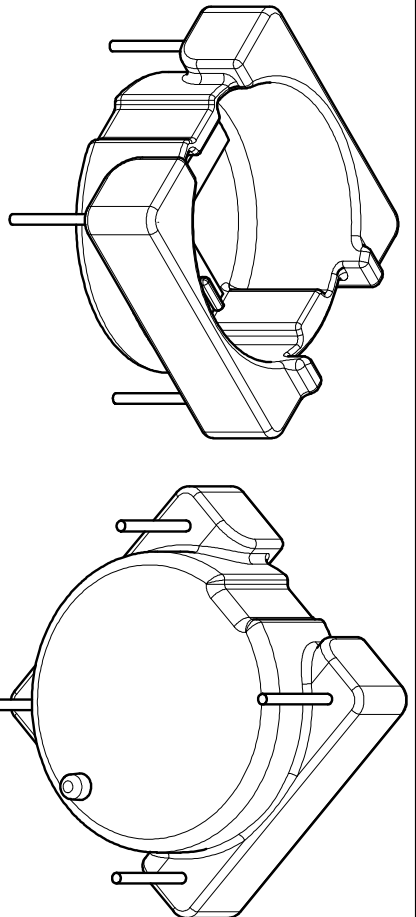
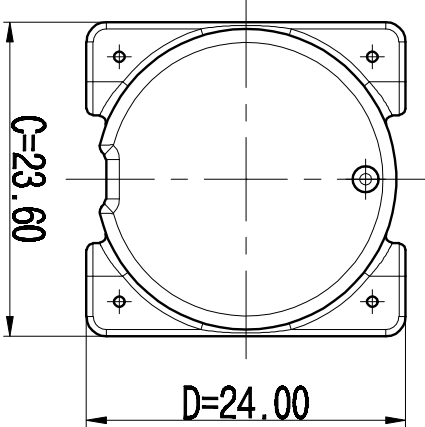
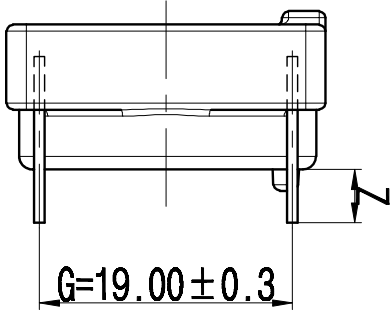
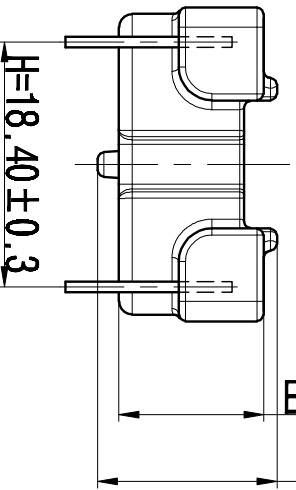
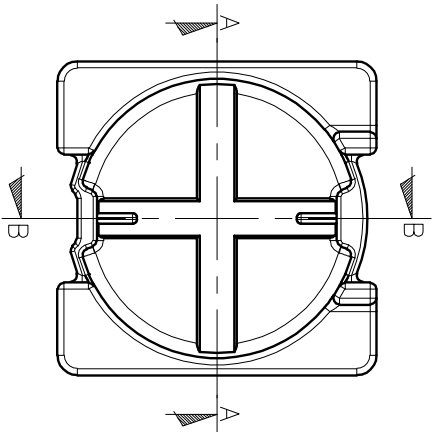


SECTION A-A




SECTION B-B



REVISION NOTE					
MARK	DATE	DRAWN	CHECKED	APPROVED	
△					
△					
△					
△					
△					
△					
△					

DRAWN	CHECKED	APPROVED	MATERIAL : PHENOL	UL REC. : U94V-0	THIRD ANGLE PROJ.	SCALE : 1/1
NS, mm	IV, mm	III, mm	Z : PIN LENGTH (according to customer's request)	DATE : 2010.11.01	TOLERANCE : ±0.2 (unless otherwise specified)	UNIT : mm


주식회사 대흥보빈
 DAE HEUNG BOBBIN CO., LTD.

OR 16φ BASE (4P) (C)
 Dwg NO : DH-101123-6038-07